

# TT-600

## HORIZONTAL CARTONER

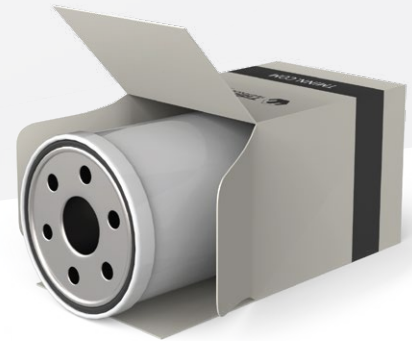
[tminn.com](http://tminn.com)



SCAN



TT-600 Automatic Horizontal Cartoner



## Horizontal Cartoner for Continuous Motion Applications

The TT-600 side load cartoner is perfect for continuous motion packaging applications. It is available with automatic product transfer, servo-driven collating devices, extended article bucket conveyors, and product confiners. Flexo-Tray® models coupled with Smart Loader, Smart Flighter, and Sequential Transfer product handling devices, offer unique benefits and system design flexibility.



CONTACT

847.884.1805

[info@tminn.com](mailto:info@tminn.com)

Information presented is subject to change as product improvements are made. Contact Sales Department for current specifications.

Speed up to 500 cartons per minute  
**SPEED**  
**500**  
**CPM**  
TT-600 Horizontal Cartonier

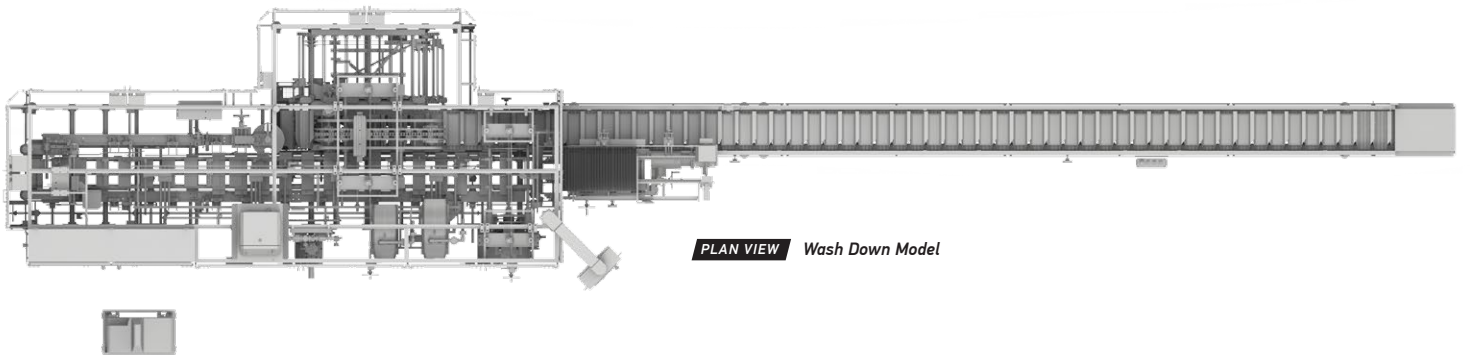
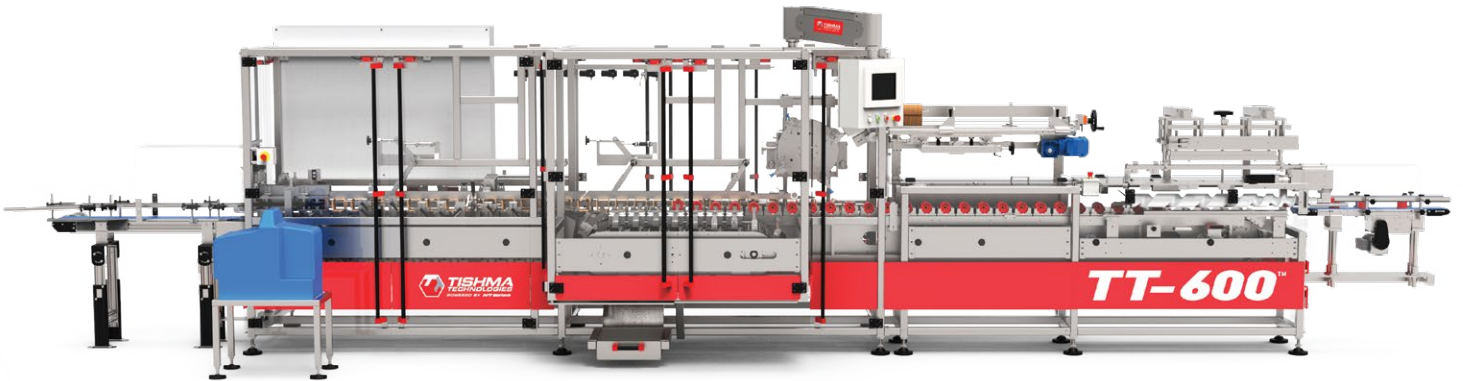
## KEY FEATURES

- ▶ Compact Footprint
- ▶ Quick & Easy Changeovers
- ▶ Versatile Design
- ▶ Servo Control
- ▶ Stainless Steel Frame

## OPTIONS

- ▶ Modular Leaflet Placers
- ▶ Code Engravers
- ▶ Laser Printing
- ▶ Smart Loader
- ▶ Smart Flighter

**SIDE VIEW** Oil Filter Cartonier Model



**PLAN VIEW** Wash Down Model





SCAN

## COMMON APPLICATIONS



- ▶ Bag-In-Box
- ▶ Pouches
- ▶ Long Goods Pasta
- ▶ Blisters
- ▶ Stick pouches

## TECHNICAL SPECIFICATION

TYPE	Side Load Cartoner
MODE	Continuous Motion
CENTERS	1.875" to 16" depending upon model
SPEEDS	Variable to 500 CPM, upon model and application
CARTON FEED	Powered carton magazine and rotary carton placer
PRODUCT LOADING	Article buckets articulate in to carton score lines
SENSING SYSTEMS	No-product/no-carton and no-carton/no-load (with automatic product discharge)
CARTON CLOSING	Straight or reverse tuck, or hot melt glue
FRAME	Welded tubular stainless steel of open, sanitary design
DRIVE	Servo driven with line shaft
CONTROLS	Allen Bradley PLC and components

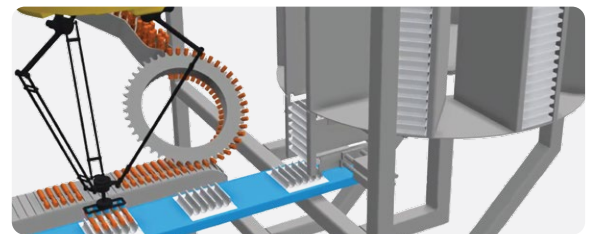
### FLEXO-TRAY

Flexo-Tray article buckets expand and contract. At the product transfer points, the buckets are open wide. Then, as loaded buckets progress toward the carton, they contract, shaping, sizing, orienting, and conditioning the product in-line.



### SERVO-DRIVEN & ROBOTIC PRODUCT HANDLING DEVICES

Our Smart Loader, Smart Flighter, and Sequential Transfer product handling devices enable product collation in various patterns, depending on the type and shape of primary product.



# TT-600 HORIZONTAL CARTONER

## CAN BE INTEGRATED WITH



### TRAY PACKERS

Tishma Technologies Automated Tray Packers feature tray loading and tray forming applications, and are available with tuck or glue tray closing systems. Tray filling is achieved by utilizing various robotic infeeds with custom EOAT.



### CASE PACKERS

As a natural extension to our product line, and to offer our customers complete end-of-line packaging turnkey solutions, we developed a line of case packers and case loading, erecting and sealing modules. Our case packers provide flexible collation systems and high-speed product handling for different case formats.



### BUNDLERS

The Raptor and Raptor-R series bundler machines are total solutions for all your shrink wrapping, banding and strapping packaging needs. These automatic packaging machines offer amazing benefits such as easy integration into existing packaging lines and quick bundling of most standard products.



### PALLETIZERS

Tetrastack palletizers feature adjustable infeed heights to match existing conveyors and a modular design to suit most applications. Models can be equipped with a pallet loader, full pallet discharge, docking stations for easy locating, integrated forklift inserts, and adjustable infeed conveyors.

## ABOUT TISHMA TECHNOLOGIES

**Tishma Technologies** designs and manufactures high-quality, high-efficiency packaging machinery and packaging systems. Our products are used worldwide in most major industries, including food, pharma, confections, cosmetics, and beverage. We also offer high-speed, continuous motion, flexible, fully integrated turnkey packaging lines for large worldwide companies. We combine quality craftsmanship, top-notch technology, and innovative, modular designs to accommodate today's flexible packaging machinery requirements.

Being part of the **Intertape Polymer Group**, our customers have increased access to a complete single-source equipment and consumables supply, responsibility, and comprehensive service and support.

## SERVICE & MACHINE AFTER-CARE

Being a good machine manufacturer is only part of being a full-service supplier to our customers. We offer complete system support before, during, and most importantly after a machine has been installed.

From annual preventive maintenance audits to customized training packages and machine rebuilds, we offer support throughout the machine lifecycle. We are committed to responding quickly and efficiently to ensure maximum uptime for our customers through online and onsite presence.

Our trained service technicians and spare parts inventory that includes maintenance and refurbishment kits keep thousands of our machines worldwide operating efficiently.



**PROFESSIONAL  
AUDIT**



**FIELD  
SERVICE**



**LIST OF  
WEAR ITEMS**



**CONSULTATION  
AND ADVICE**



**TECH  
SUPPORT**



**REMOTE  
ASSISTANCE**

CONTACT

847.884.1805

info@tmnn.com



**TISHMA  
TECHNOLOGIES**  
powered by lpg



**SCAN**  
TO LEARN MORE